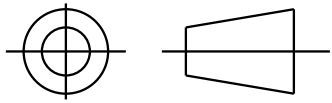


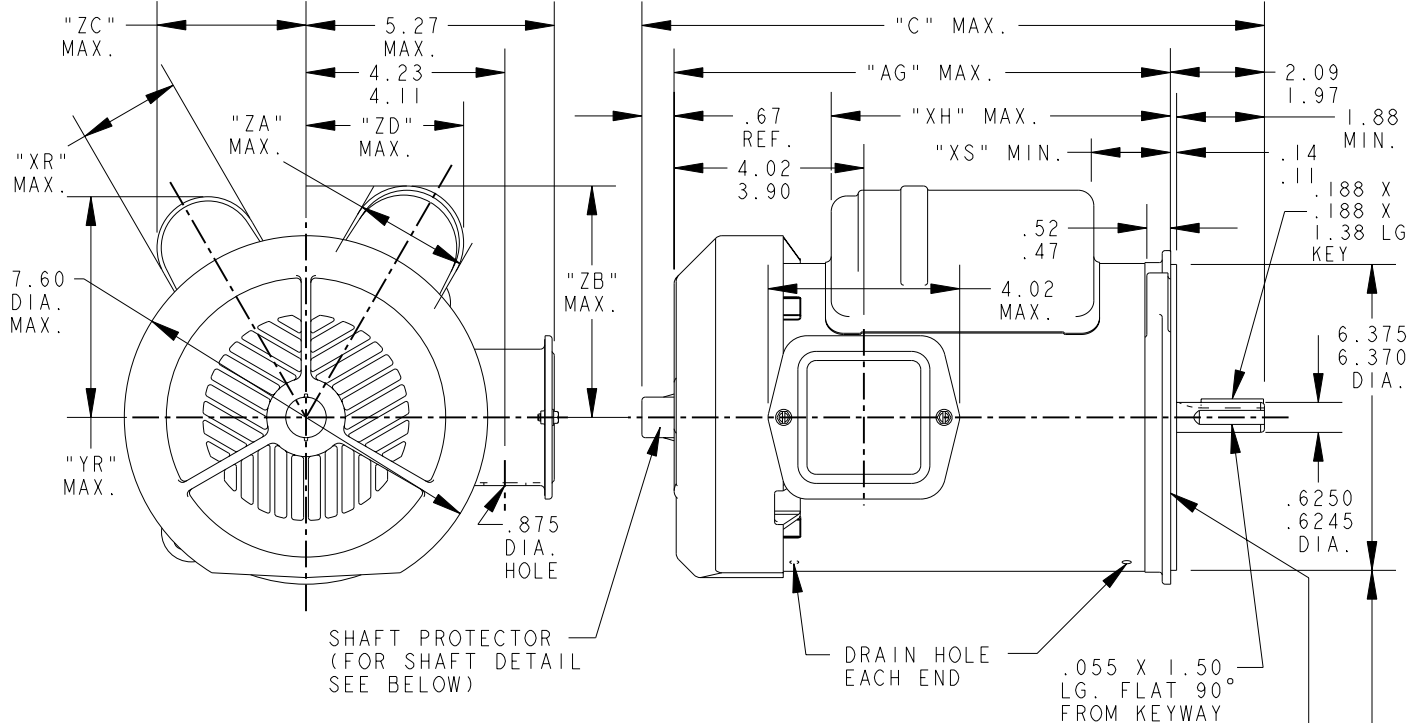
SHEET 1
 REV 4
 SIZE DRAWING NO. 52A107769
 A

THIRD ANGLE PROJECTION

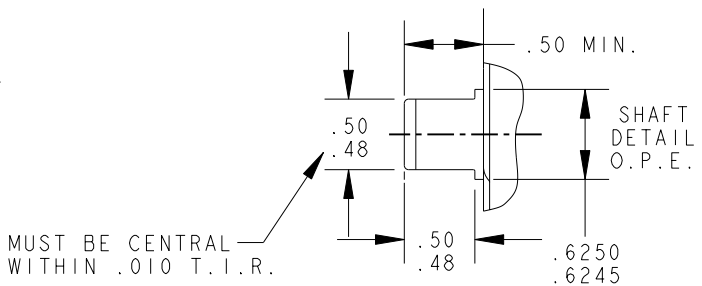
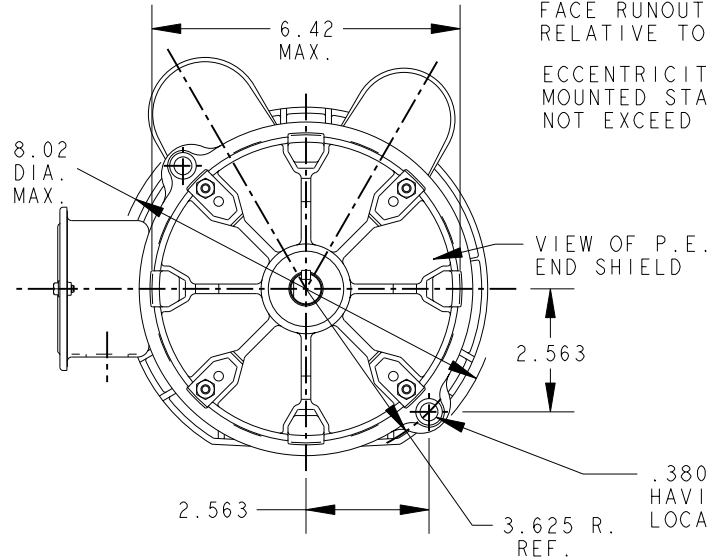


REVISIONS

REV.	DESCRIPTION	DATE	APPROVED
4	CHG TO RBC FORMAT PER ISO5-1777	03/02/06	SUDHA



FACE RUNOUT (WITH INDICATOR MOUNTED STATIONARY RELATIVE TO SHAFT) MUST NOT EXCEED .006 T.I.R.
 ECCENTRICITY OF THIS SURFACE (WITH INDICATOR MOUNTED STATIONARY RELATIVE TO SHAFT) MUST NOT EXCEED .006 T.I.R.




MUST BE CENTRAL WITHIN .010 T.I.R.
 .380/.340 DIA. (2 HOLES) THESE HOLES FIT A GAGE HAVING A RABBET 6.3755 DIA. AND 2 PINS .3309 DIA. LOCATED ON THE BASIC HOLE POSITIONS.

ALL DIMENSIONS ARE IN INCHES

I	KCR	49	56NY	14.51	11.73	7.77	4.68	2.15	2.02	2.72	5.27	3.20	3.66	8.99
P	TYPE	GE SIZE	NEMA FR.	"C"	"AG"	"XH"	"YR"	"XR"	"XS"	"ZA"	"ZB"	"ZC"	"ZD"	MIN. SHELL

SIGNATURES		DATE
MODEL	M. D. PAPE	11/22/91
DETAIL	.	.
CHECKED	.	.
ENGRG	.	.
MFG	.	.
FOR ADDITIONAL INFO REFER TO:	QUALITY	.
APPLIED PRACTICES	ISSUED	M. A. M. 07/07/94
DIMENSIONS ARE IN INCHES	SOLID MODEL: 52A107769	



REGAL-BELOIT CORPORATION

TITLE

OUTLINE

SPECIAL PURPOSE MOTOR TEFC -

BALL BEARING - 2 LUG FLANGE FMF: 5KCR49UN0079U

SIZE DRAWING

A

SCALE: 0.250 REF. No: .

SHEET 1 of 1

52A107769 REV **4**