

MAGNALITE®

Lightest Ballastless Generator on the Market

Using amorphous material in this permanent magnet generator's lamination grants us the lightest and shortest generator in the market, yet the highest efficiency and power density. Incorporating this cutting edge technology with a flexible coupling and lightweight materials, the assembly is done in no time and is hassle free!

The amorphous material, replacing silicon steel laminations, enables the generator to run in higher frequencies. Such capability, in conjunction with Marathon's patented "inherent ballast impedance characteristic for lighting systems", eliminates the use of expensive, heavy, and unreliable ballasts.



Gen-Set Equipped with
MAGNALITE® Generator

MAGNALITE® Generator with Coupling

Advantages

- Ballastless
- Flexible coupling allowing reliable and easy assembly
- Generator efficiency improved by up to 20%
- Weather proof (IP 55) totally enclosed design
- Higher speed enabling the use of smaller engines
- Better wave form improving lamp life
- Faster re-strike time compared with traditional generators
- Volumetric envelope reduced by up to 1/2 the size!
- One of the smallest, shortest, and lightest units available in the market

MARATHON ELECTRIC
GENERATORS
A REGAL-BELOIT COMPANY

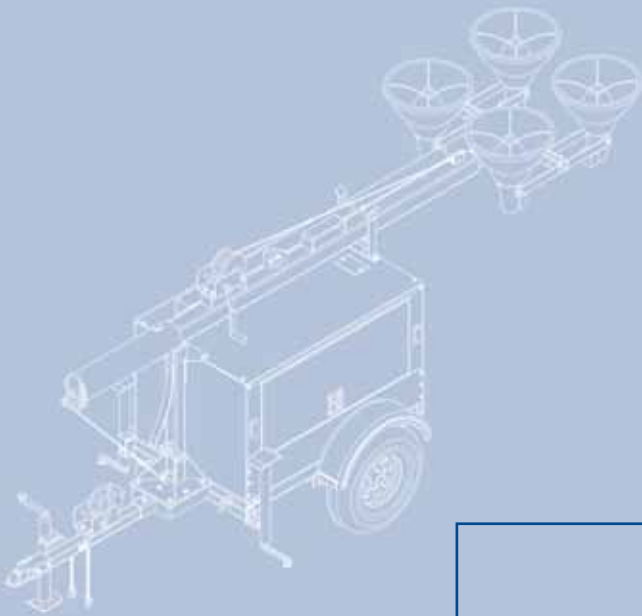
ISO 9001:2000 Certified

MAGNALITE®

Power Generation for the 21st Century

Specifications

- 4 kW continuous output at 2100 and 2500 rpm
- 450-500 V striking output voltage
- 50°C maximum ambient temperature
- Amazing 10 1/4" overall diameter with 5-inch length
- Only 35 lbs.
- Class "H" insulation system
- Inherent ballast impedance characteristic for metal halide lamps (ballastless)
- Single bearing
- IP 55 - totally enclosed design



Portable Light Tower

Higher Efficiency, Lighter Weight

The MAGNALITE® higher efficiency and variable speed capable generator enables the prime mover to be smaller, resulting in up to 100% reduction in volumetric envelope and at least 60% lighter weight than other PMG units in the market (see comparison table). Such higher efficiency also translates into less fuel consumption.

	Existent Systems Comparison Table		
	Light Tower with Electronic Ballast	Standard PMG	Marathon MAGNALITE®
Generator Weight	110 lbs	81 lbs	35 lbs
Ballast Weight	136 lbs	N/A	N/A
Engine Weight	198 lbs ^①	158 lbs ^②	135 lbs ^①
Total Weight	444 lbs	239 lbs	Less than 200 lbs!
Generator Length	8.5"	6.5"	5"
Generator Efficiency	75% ^③	81% ^③	90%

① Based on Mitsubishi engine

② Based on Kubota engine

③ Estimated



**Your Independent Power Source
for the 21st Century!**

P.O. Box 8003
Wausau, WI 54402-8003 USA

www.marathonelectric.com

Phone: 715-675-3359
Fax: 715-675-8026